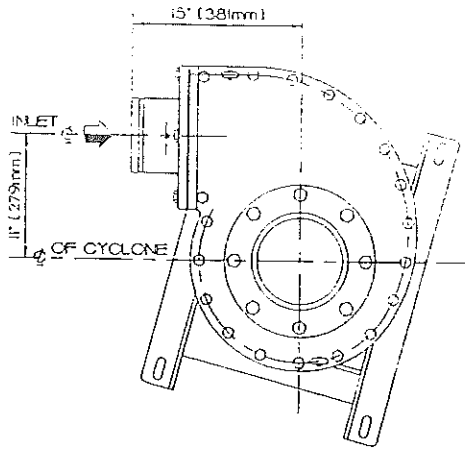


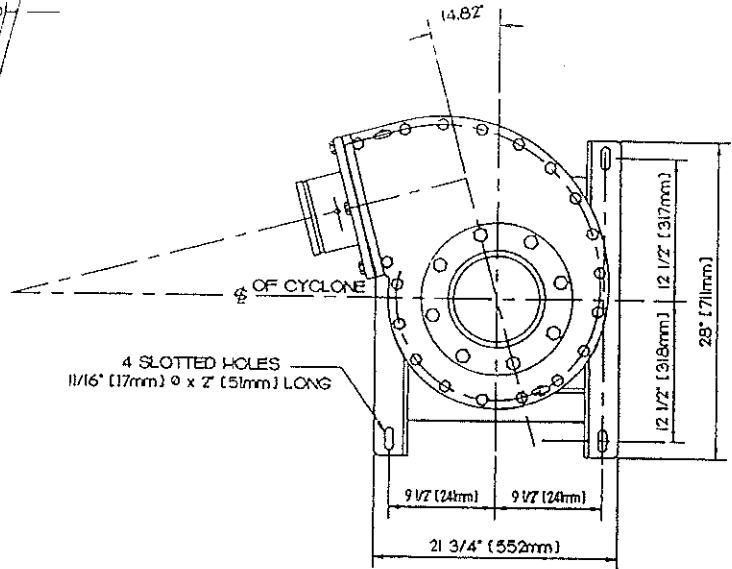
KREBS CYCLONE

MODEL DS15LB-10.5°-2152

USE WITH PARTS LIST PL4092-M784-AG-1



PLAN VIEW

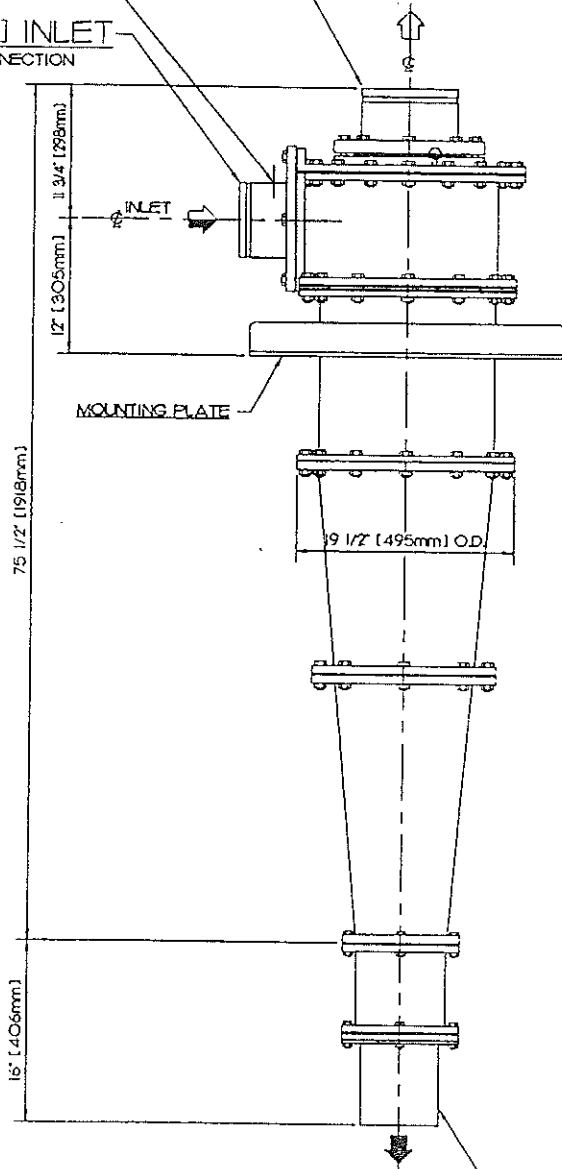


CYCLONE ORIENTATION

3" [200mm] OVERFLOW
VICTALIC CONNECTION

PRESSURE GAUGE
CONN 1/4" NPT
(STEEL ADAPTER ONLY)

5" [150mm] INLET
VICTALIC CONNECTION



FIXED APEX ASSEMBLY NO. 668

CERTIFIED FOR <i>Technip / Opium</i>	
P.O. No. 41054	
REQ. No. _____	S.O. No. 38933
QUAN. 3	MODEL DS15LB-10.5°-2152
SERIAL NO. 49337-49339	
BY <i>Jack Staller</i>	DATE APR 05 2000
KREBS ENGINEERS	
5505 WEST GILLETTE ROAD TUCSON, ARIZONA 85743	
PHONE (520) 744-8200 FAX (520) 744-8300	

INLET HEAD LINER PART NO. 152LR-BPC SIZE 14 in² (9032 cm²)

VORTEX FINDER PART NO. 205LST-CR SIZE 4.5" (114mm)

APEX ORIFICE PART NO. 678C-CR SIZE 3.5" (89mm)

BARE WEIGHT: 672# (305kg) SHIPPING WEIGHT: 965# (438kg)

FINAL CERTIFICATION

REF DWG: M784-AG-1		DESILMING	
REVISION STATUS		5505 WEST GILLETTE ROAD TUCSON, AZ 85743	
Des. By:			
Date:	Scale:	Des. By: WLR	Date: 3/31/00
Appd. By:		Appd. By: <i>JM</i>	S.O.
GENERAL ARRANGEMENT KREBS CYCLONE - MODEL DS15LB-10.5°-2152 WITH FIXED APEX ASSEMBLY NO. 668			
C		© KREBS ENGINEERS 2000	DWG. NO. S2152-M784-AG-1

TOLERANCE SCHEDULE: UNLESS OTHERWISE SPECIFIED		
-11" ± 1/4"	+11" 0/+ 1/2"	+107" ± 1"
(-820mm ± 6mm)	(+820mm 0/+ 127mm ± 25mm)	(+107mm ± 25mm)

THIS SHEET IS THE PROPERTY OF KREBS ENGINEERS, TUCSON, ARIZONA, AND IS LOANED UNDER THE EXPRESS UNDERSTANDING THAT IT IS NOT TO BE USED IN ANY MANNER, DIRECTLY OR INDIRECTLY, DETRIMENTAL TO KREBS ENGINEERS.

SLE & C TRANSMITTAL SHEET	CLIENT Agrium	Contract	Package	Subj	Tr. N°
	Contract Agrium - Kapuskasing Phosphate Project	4066-15			F-0036
	To RON ROSS AGRIMUM	Date: 99.05.21	Page: 1		
		FROM: SLE&C			

- Copies to
- 1- RON ROSS AGRIMUM
 - 2- J. LEES
 - 3- J. BELL
 - 4- M. BRAZEAU
 - 5- J. NIXON
 - 6- DOCUMENT CONTROL
 - 7-
 - 8-
 - 9-
 - 10-

**SUBJECT: TEMPERATURE SIGNAL TRANSDUCER
P5662
FINAL VENDOR DOCUMENTATION AND MANUALS**

We are forwarding to you the following documents:

BY: SHAWNEE DAY
FOR: FINAL VENDOR DATA

SIGNATURE: *Shawnee Day*

Drawings and Documents N°	Sub	Supl N°	Description	R E V	S T A T	Copies to													
						1	2	3	4	5	6	7	8	9	10				
P5662 -0001	03	M361-AG	GENERAL ARRANGEMENT 14 MODEL MODEL D10LB-10.5 T117 DREBS CUCLONES RADIAL MANIFOLD SYSTEM	C	F	IC	T	T	T	T	IC								
P5662 -0002	01	M519-ARA	GENERAL ARRANGEMENT 3 MODEL D26B-1085 KREBS CYCLONES RAIDAL MANIFOLD SYSTEM		F	IC	T	T	T	T	IC								
P5662 -0003	03	M1563-AG	GENERAL ARRANGEMENT 68 U4B-6-2071 KREBS CYCLONES RADIAL MANIFOLD SYSTEM		F	IC	T	T	T	T	IC								
P5662 -0004	03	M519-AG	GENERAL ARRANGEMENT 3 MODEL D26B-1085 KREBS CYCLONES RADIAL MANIFOLD SYSTEM		F	IC	T	T	T	T	IC								
P5662 -0005	01	S2071-M1563-AG	GENERAL ARRANGEMENT KREBS CYCLONES MODEL U4B-6"-2071 WITH ADJUSTABLE APEX NO. C1722	C	F	IC	T	T	T	T	IC								
P5662 -0006	01	S1085-M519-AG	GENERAL ARRANGEMENT KREBS CYCLONE MODEL D26B-1085 WITH FIXEDAPEX ASSEMBLY NO. 668	C	F	IC	T	T	T	T	IC								
P5662 -0007	01	T117-M361-AG	GENERAL ARRANGEMENT KREBS CYCLONE MODEL D10LB-10.5"-T117 WITH FIXED APEX ASSEMBLY NO. 368	C	F	IC	T	T	T	T	IC								
P5662 -0008	01	TAG NO. 24-CY-001	MODEL D26B-1085 KREBS CYCLONE DRAWING SERIAL NUMBER 66225-66226 INSTALLATION, MAIN., MAN.		F	IC	T	T	T	T	IC								
P5662 -0009	01	TAG NO. 24-CY-002/3	120 MODEL U4B-6-2071 KREBS CYCLONES SERIAL NUMBERS 65536-65655 MANIFOLD DRWG. INSTALL.MAN.		F	IC	T	T	T	T	IC								
P5662 -0010	01	TAG NO. 24-CY-004	12 MODEL D10LB-T117 KREBS CYCLONES FOR TECH PRO INSTALLATIONAND MAINT. MAUALS		F	IC	T	T	T	T	IC								
PLEASE NOTE* Documentation to be submitted by date :																			

Legende of status

A NOT SUITABLE - RESUBMIT BEFORE FABRICATION
 B MODIFY AS NOTED, RESUBMIT BEFORE FABRICATION
 C MODIFY AS NOTED COMMENCE FABRICATION & RESUBMIT
 D SUITABLE - COMMENCE FAB. SUBMIT FINAL DOCUMENTS
 E OTHER AS INDICATED ON TRANSMITTAL
 F CERTIFIED FINAL RECEIVED
 IR INTERNAL REVIEW
 FI FOR INFROMATION/REFERENCE

Copy:

C Copy
 D Disk/CDROM
 E Electronic Files
 G Green
 L Letter
 O Original
 P Print
 R 50% Reduction
 S sepia
 T Transmittal
 V Vellum

ACKNOWLEDGMENT OF RECEIPT

PLEASE SIGN AND RETURN ONE COPY

RECEIVED BY: _____ PRINT NAME: _____ DATE: ___/___/___

TECH / PRO INC.

techpro@ntl.sympatjco.ca

ON: Tel.: (705) 235-5454
Fax: (705) 235-5488

QC: Tel.: (514) 633-1231
Fax: (514) 633-1217



Monday 10 April 2000

Agrium
Kaspuskasing Project, P.O.Box 92
Kaspuskasing, Ontario
P5N 2Y1
705-335-6655
Attention: Roger Crowe - AGRA

Reference: 7 Model DS15LB-10.5-2152 Krebs Cyclones
Serial Numbers: 69155 - 69161
3 Model DS15LB-10.5-2152 Krebs Cyclones
Serial Numbers: 69162 - 69164
3 Model DS15LB-10.5 - 2152 Krebs Cyclones
Serial Numbers: 69337 - 69339

Enclosed please find 6 certified final dimension drawings (2 engineering copies each), parts lists and two (2) installation-operation-maintenance manuals, covering the Krebs cyclones and manifold systems being furnished for your expansion project.

Please do not hesitate to call upon us if we may be of further assistance.

Sincerely,

Christine Deslauriers
Technical Representative

Encls: Drawings: S2152-M784-AG-1 / S2152-M735-AG / S2152-M784-AG
Parts list: PL4092-M784-AG-1/ PL4092-M735-AG / PL4092-M784-AG
Capacity curve: D15LB-10.5-140-891
IOM Industrial Manuals: 2
Analysis Sheets