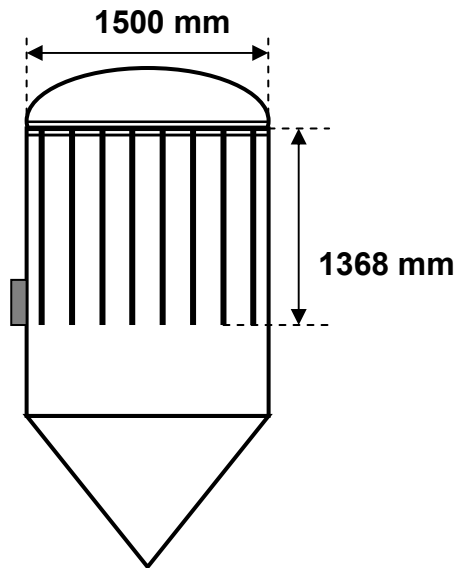


TECHNICAL DATA FILTROstar 1500, FORMER WÜRZBURG BREWERY

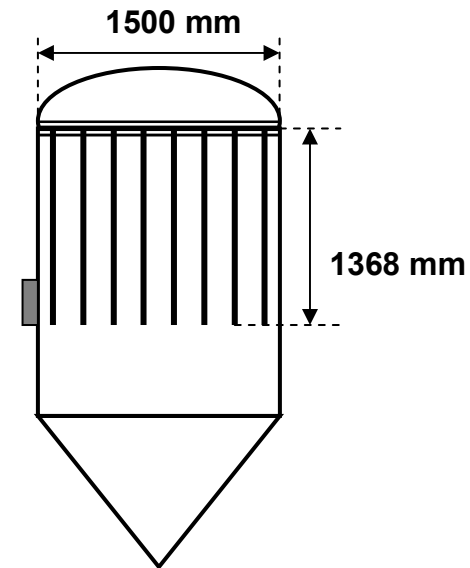
Actual technical data; FILTROstar 1500



Technical data (actual)

Filtration area (nominal) :	70 m ²
Filtration area (metallic) :	46,5 m ²
Number of candles :	343 pieces
Candle length :	1368 mm
Sludge volume :	~ 1450 litres
Max. kieselguhr load :	426 kg (3,4 kg/l)
Max. Filtration cycle :	2.840 hl (150 gr./hl)
Recommended Capacity :	250 hl/h (HGB)
Specific flow rate (metallic):	5,50 hl/m ² /h

Actual technical data; FILTROstar 1500



Technical data (actual)

Total vessel volume :	4300 litres
Max. pressure (vessel) :	7 bars
Diameter of filter candles :	32.5 mm
Gapes at filter candles :	70 microns
Total weight (empty) :	~ 3000 kg
Total weight (full) :	~ 7300 kg
Max. Filtration flow :	350 hl/h
Min. Filtration flow :	175 hl/h (HGB)

Note: Nominal filtration surface is filter candle including 50% of maximum thickness of kieselguhr cake...